

NSF CONSTRUCTION COMMERCIAL ELECTRIC WATER HEATER INSTALLATION INSTRUCTIONS

THE MANUFACTURER OF THIS WATER HEATER WILL NOT BE LIABLE FOR ANY DAMAGE RESULTING FROM FAILURE TO COMPLY WITH THESE INSTRUCTIONS. READ THESE INSTRUCTIONS THOROUGHLY BEFORE STARTING.

For safety and convenience, the NSF construction components must be installed and serviced by a qualified technician.

Before proceeding with installation of this NSF kit, please assure that this water heater has been installed in accordance with local codes and/or ordinances. In the absence of local codes, this water heater must be installed in accordance with the National Electric Code – latest edition. Refer to Installation instructions provided with this water heater.

Assure the correct NSF kit for this water heater has been provided.

NSF Kit Required	
Model	NSF Kit Part No.
CEHD50 (3 & 6 ELEM)	265-44542-06
CEHD80 (3 & 6 ELEM)	265-44542-07
CEHD120 (3 & 6 ELEM)	265-44542-08
CEHD50 (9 ELEM)	265-44542-09
CEHD80 (9 ELEM)	265-44542-10
CEHD120 (9 ELEM)	265-44542-11

Tools and Materials Required:

- RTV sealant (provided)
- Control box seal (provided)
- Two (2) sheet metal screws (provided)
- NSF label (provided) attached to these instructions
- Caulk gun
- 1/4" nut driver and/or drive tool

Installation Procedure:

1. Place control box seal on top of control box sealing gap between control box and water heater jacket. Attach control box seal to control box using two (2) sheet metal screws (see **Figure 1**).
2. Seal water heater to floor using RTV sealant. Be sure to seal water heater completely to floor without leaving voids (see **Figure 2**).
3. Place NSF label on or adjacent to rating plate.

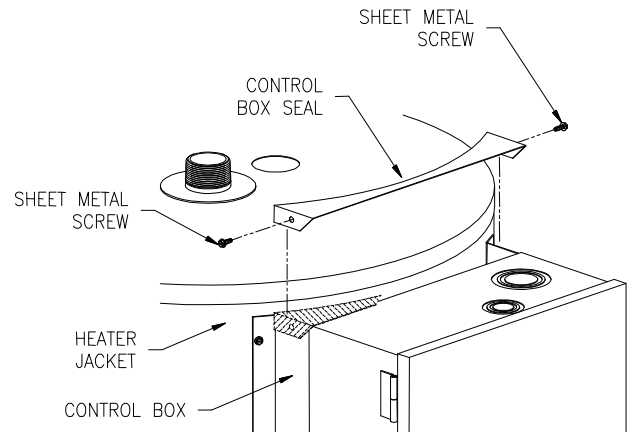


Figure 1

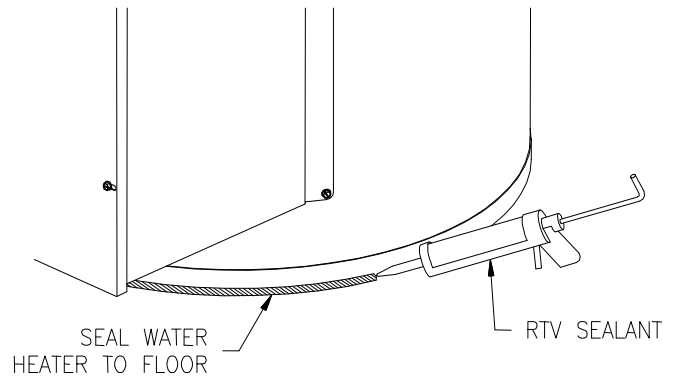


Figure 2

WARNING

CANCER AND REPRODUCTIVE HARM

WWW.P65WARNINGS.CA.GOV

As required by the state of California Proposition 65.